

EH-7106

Residential Terminal



Features

- Microsoft Windows® XP Embedded
- CCD camera
- Handset
- 10.4" TFT LCD with touchscreen
- Four LED indicators
- Built-in microphone
- Built-in speaker
- Four programmable function keys
- One emergency button



Introduction

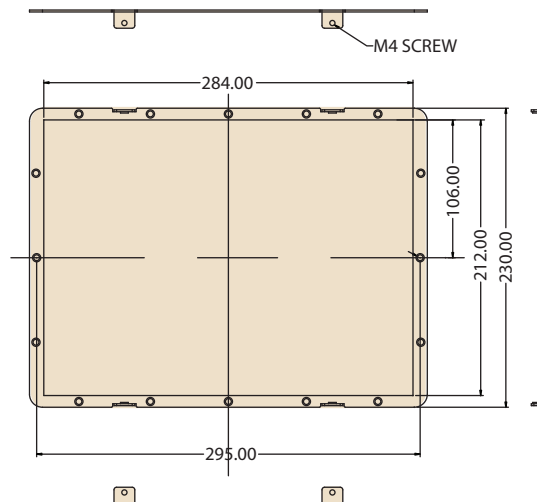
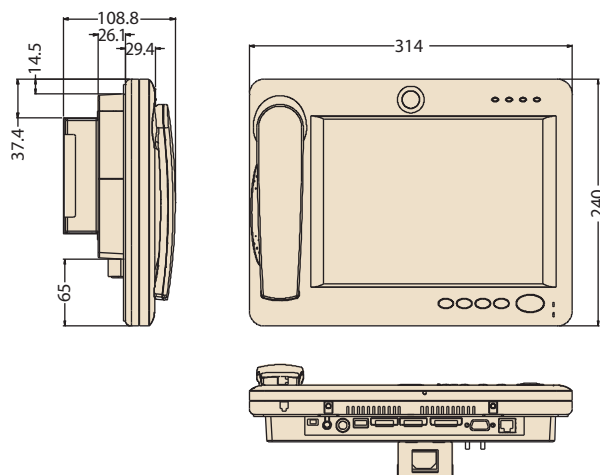
The EH-7106 residential terminal is Advantech's standard product supplied with a Microsoft Windows® XP Embedded software kernel installed. The compact mechanical structure offers a smart, modern design that matches the entire Advantech residential terminal product family. The EH-7106 is equipped with an Intel® Celeron® M 600 MHz processor, touchscreen, CCD camera & handset. The unit plays a key role as part of a home/building security & automation solution. The unit connects service/emergency calls and sensor signals of an apartment unit, through a LAN connection, to a central administration center. The handset of the eHome terminal can act as a door phone or intercom phone through its RS-232/485 ports, and its analog audio signals. In addition, LonWorks® is also compatible with this Advantech eHome platform, so it can function seamlessly with other LonWorks enabled devices.

Specifications

Hardware	CPU	Intel Celeron M 600 MHz W/1 512 K cache (fanless)
	Memory	Working 512 MB SDRAM
	Storage	External Type II CompactFlash up to 2 GB
Display	Panel Type	TFT color LCD (LVDS)
	Screen Size	10.4"
	Resolution	800 x 600
	Luminance	230 cd/m ² with integrated resistive touchscreen
User Interface	Stylus Pen	No
	Hotkeys	4 x Keys & 1 Emergency Button with LEDs
	LEDs	4 x Status LEDs
	CCD	300K pixels (PCI)
I/O Interfaces	IDE CF Socket	1
	GPIO	4-PIN Header Connector
	Mini PCI	1 for WLAN
	USB	2 USB (2.0)
	RS-485	1
Ethernet Interface	RS-232	1
	RJ-45	10/100 Mbps Ethernet
A/V Interfaces to Door Phone	Audio Signal Interface	Yes
	TV-out	RCA connector for NTSC/ PAL
	Video-in	2-pin header
	Door unlock button	Yes
	Handset	1 for intercom communication
Multimedia Functions	Audio	Built-in microphone/speaker
	Video	Video-In/ TV-out
Door Phone Interface	Handset	Yes
	Audio Signal Interface	Yes
	Door Unlock Button	Yes
Embedded OS	XP Embedded	Yes
	Power Consumption	< 48 W
	Dimensions (W x H x D)	315 x 240 x 60 mm
	Weight	2.5 kg (5.50 lbs.)
	Operating Temperature	0 ~ 40° C (32 ~ 104° F)
	Certifications	UL, FCC/CE Class B, CCC

Dimensions

Unit: mm (inch)



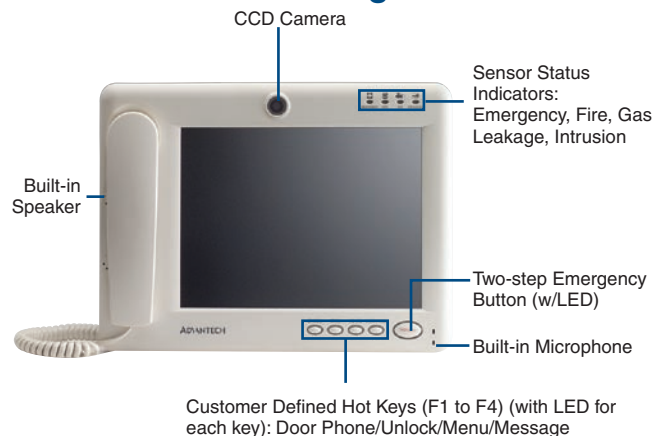
Ordering Information

Part Number	Description
EH-7106-XP0E	Intel Celeron M 600MHz W/1 512 K cache, 512 MB SDRAM, 2 GB CFC, XPE
1960019033N000	Wall-box for EH-7106

Packing List

Description	Quantity
Mounting Rack	1
CD Utility	1
AC/DC Power Adapter	1
User Manual	1

I/O Indicator Drawing



Applications

- Home Security
- Nursing Service/Video Health Care
- Emergency Call/Intercom
- Door Phone/Intercom

For System Integrators

- Enhanced Intercom with audio noise cancellation (cancels echo/background noise)
- Microsoft Windows XP Embedded
- Function key ready, programmable for SIs
- Hands-free functionality for a variety of applications
- RS-protocol; LonWorks is also available
- Optional Mounting Bracket