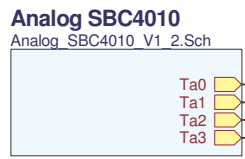
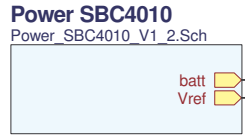
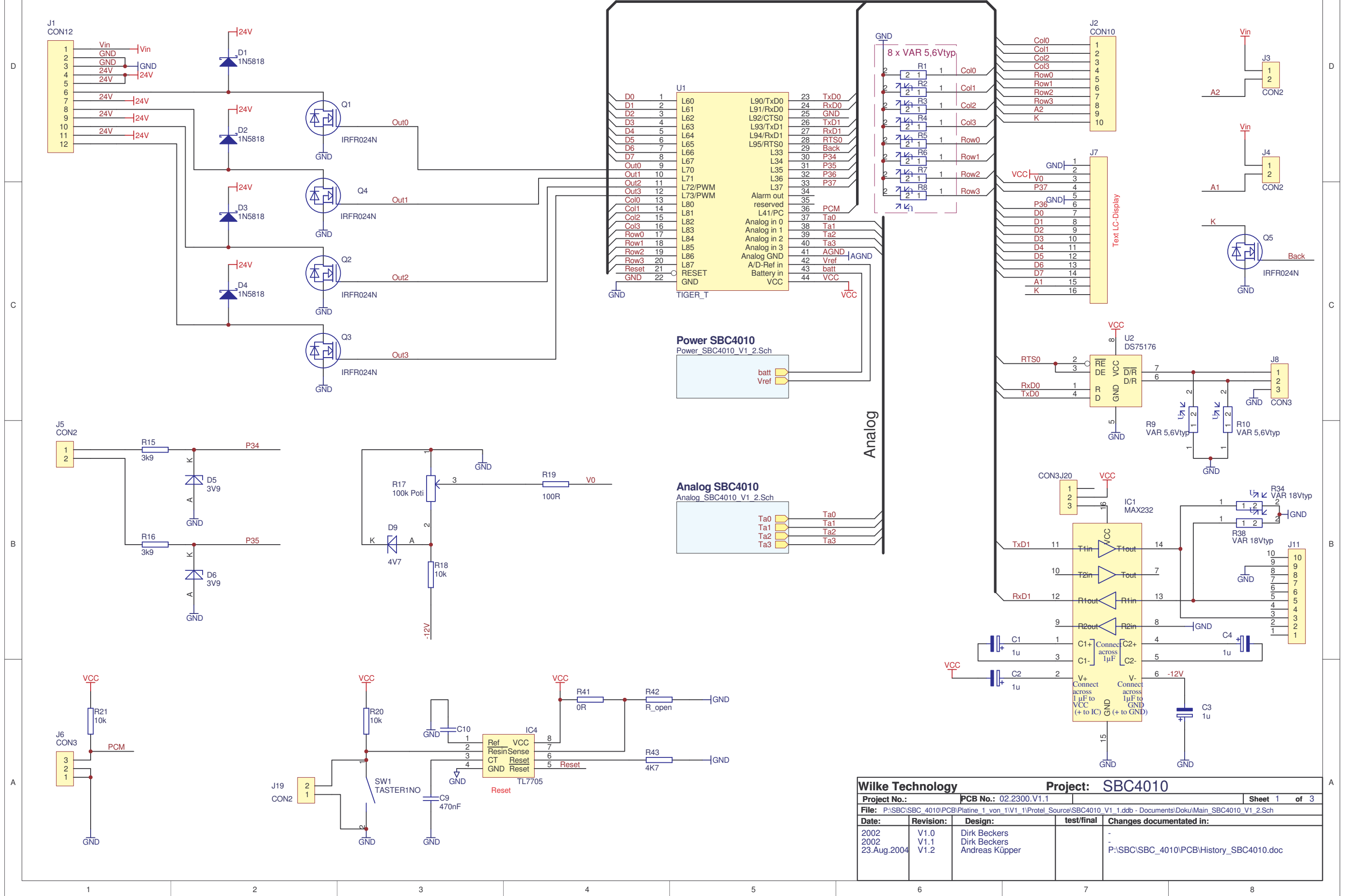
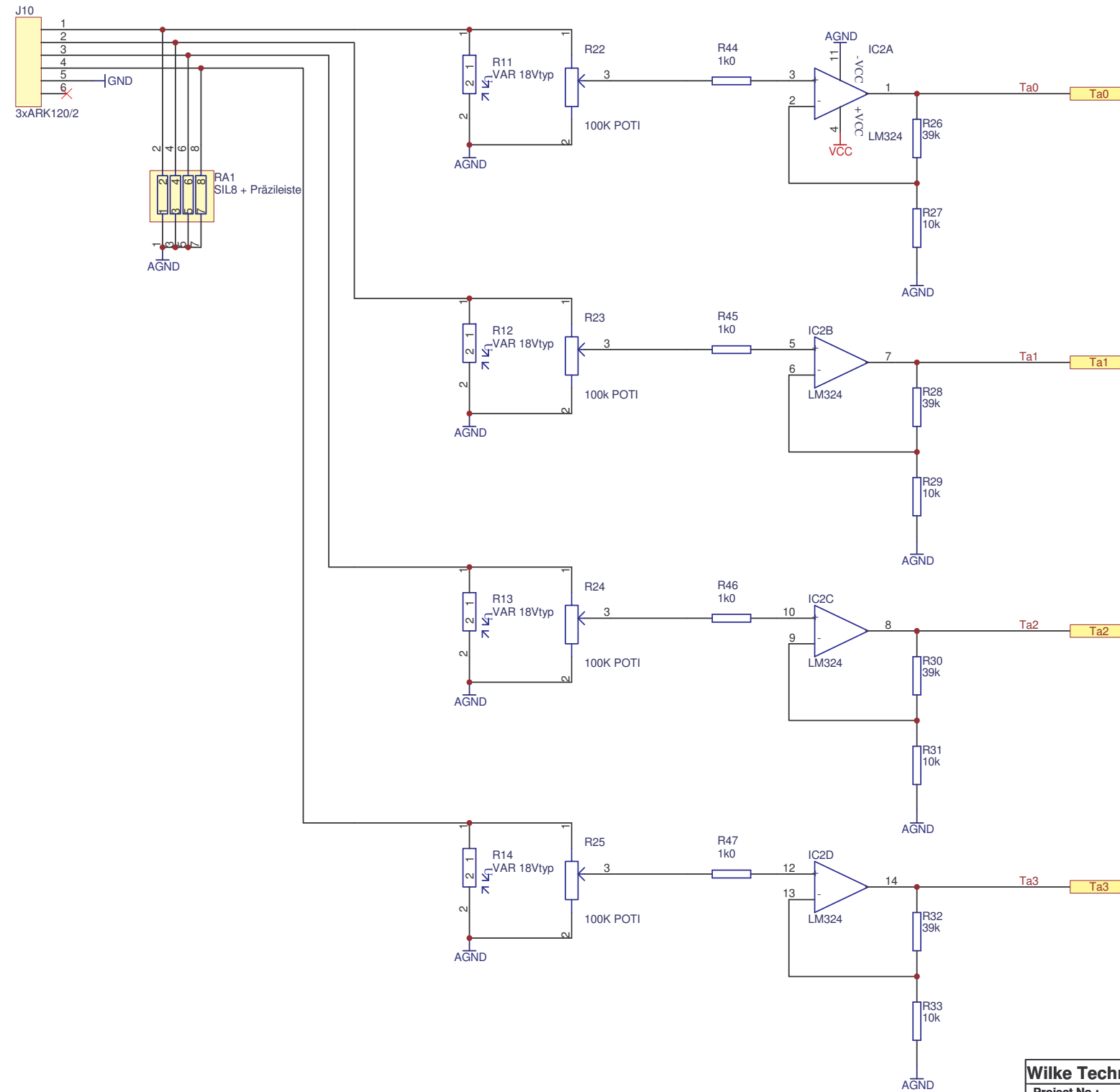


SBC4010



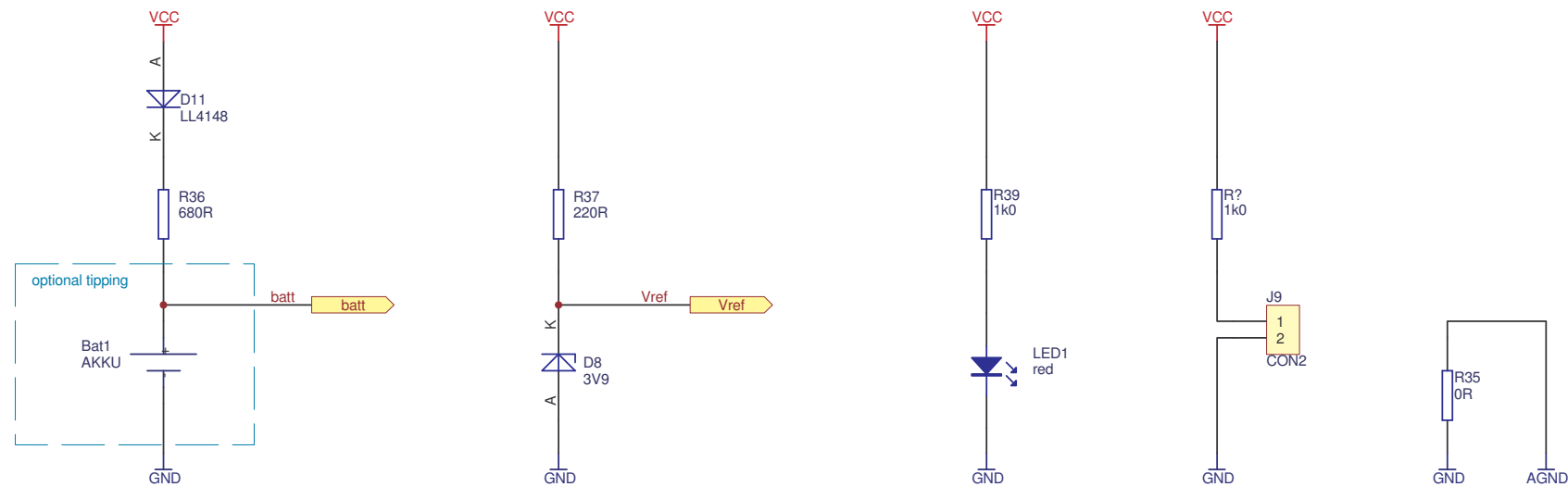
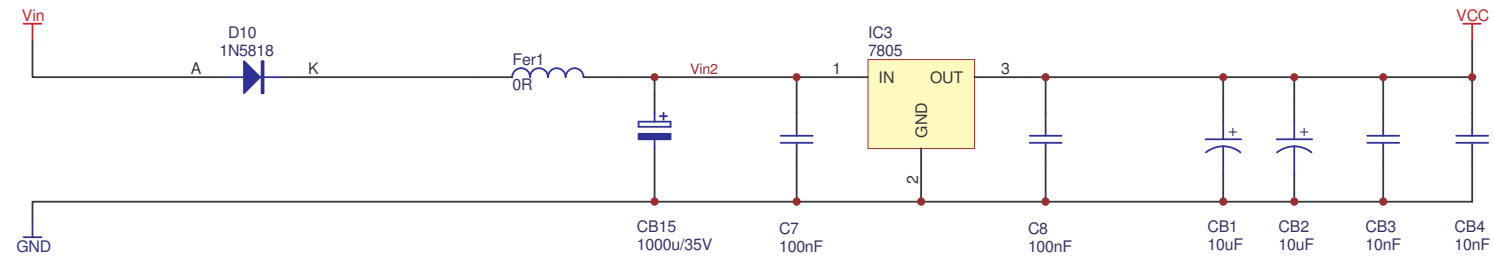
Wilke Technology		Project: SBC4010	
Project No.:	PCB No.:	02.2300.V1.1	Sheet 1 of 3
File: P:\SBC\SBC_4010\PCB\Platine_1_von_1\1_1\Protel_Source\SBC4010_V1_1.ddb - Documents\Doku\Main_SBC4010_V1_2.Sch			
Date:	Revision:	Design:	test/final
2002	V1.0	Dirk Beckers	-
2002	V1.1	Dirk Beckers	-
23.Aug.2004	V1.2	Andreas Küpper	-
Changes documented in:			
P:\SBC\SBC_4010\PCB\History_SBC4010.doc			

Analog SBC4010



Wilke Technology		Project: SBC4010	
Project No.:	PCB No.: 02.2300.V1.1	Sheet 2 of 3	
File: P:\SBC\SBC_4010\PCB\Platine_1_von_1\1\1\Protel_Source\SBC4010_V1_1.ddb - Documents\Doku\Analog_SBC4010_V1_2.Sch			
Date:	Revision:	Design:	test/final
2002	V1.0	Dirk Beckers	-
2002	V1.1	Dirk Beckers	-
23.Aug.2004	V1.2	Andreas Küpper	-
Changes documented in:			
P:\SBC\SBC_4010\PCB\History_SBC4010.doc			

Power SBC4010



Wilke Technology		Project: SBC4010		
Project No.:	PCB No.: 02.2300.V1.1			Sheet 3 of 3
File: P:\SBC\SBC_4010\PCB\Platine_1_von_1\V1_1\Protel_Source\SBC4010_V1_1.ddb - Documents\Doku\Power_SBC4010_V1_2.Sch				
Date:	Revision:	Design:	test/final	Changes documented in:
2002	V1.0	Dirk Beckers		-
2002	V1.1	Dirk Beckers		-
23.Aug.2004	V1.2	Andreas Küpper		P:\SBC\SBC_4010\PCB\History_SBC4010.doc